



DISPENSERS



PUMPS



METERS



METERED NOZZLES



NOZZLES

ROTARY HAND PUMP TOTE KIT

FEATURES

- IBC ERGONOMIC BRACKET
- HEAVY DUTY LEVER
- HIGH EFFICIENCY
- SELECTED MATERIALS

The Piusi ROTARY HAND PUMP TOTE KIT is a rotary vane pump suitable for transferring DEF. It maintains all the main features of the Piusi Hand Pump while Its ergonomic bracket guarantees a perfect IBC handling.

PERFORMANCE

UP TO
10 GAL
PER 100 REV
CAPACITY



PIUSI HAND PUMP IBC



PACKAGING

PART #	WEIGHT		PACKAGING		
	KG	LBS	MM	INCH	PCS/BOX
FOO332BOA	4.4	8	292X305X178	11.5X12X7	1



FILTRATION



FLUID MONITORING



HOSE REELS



ACCESSORIES



AIR



ANTIFREEZE



DEF



BIODIESEL



DIESEL



FOOD



GASOLINE



GREASE



KEROSENE



OIL



WATER



WINDSCREEN

CHARTS

PIUSI HAND PUMP IBC



TYPE OF FLUID WATER
 TEMPERATURE 68 °F

P = TOTAL PRESSURE (PSI)

IN THE BOX

- PIUSI HAND PUMP
- IBC MOUNT BRACKET
- DELIVERY HOSE
- 3D FILTER (ON REQUEST)
- INSTRUCTION MANUAL

DETAILS



STAINLESS STEEL SPOUT

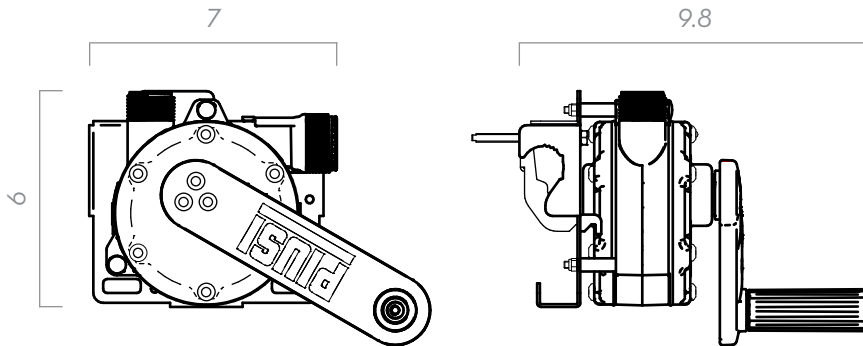


STURDY LEVER



IBC BRACKET

DIMENSIONS



Dimensions expressed in inches

MATERIALS

- BODY: STAINLESS STEEL, TECHNOPYLIMER
- ROTOR: TECHNOPYLIMER
- VANES: TECHNOPYLIMER

TECHNICAL DATA

PART #	DESCRIPTION	FLUIDS TYPE	CAPACITY PER 100 REVOLUTIONS		IBC BRACKET	SUCTION HOSE	DELIVERY HOSE LENGTH	3D FILTER
			L	USG				
FO0332BOA	DEF ROTARY HAND PUMP IBC KIT W/O FILTER		38	10	YES	3.2	9	YES

IBC NOT INCLUDED

PIUSI HAND PUMP IBC